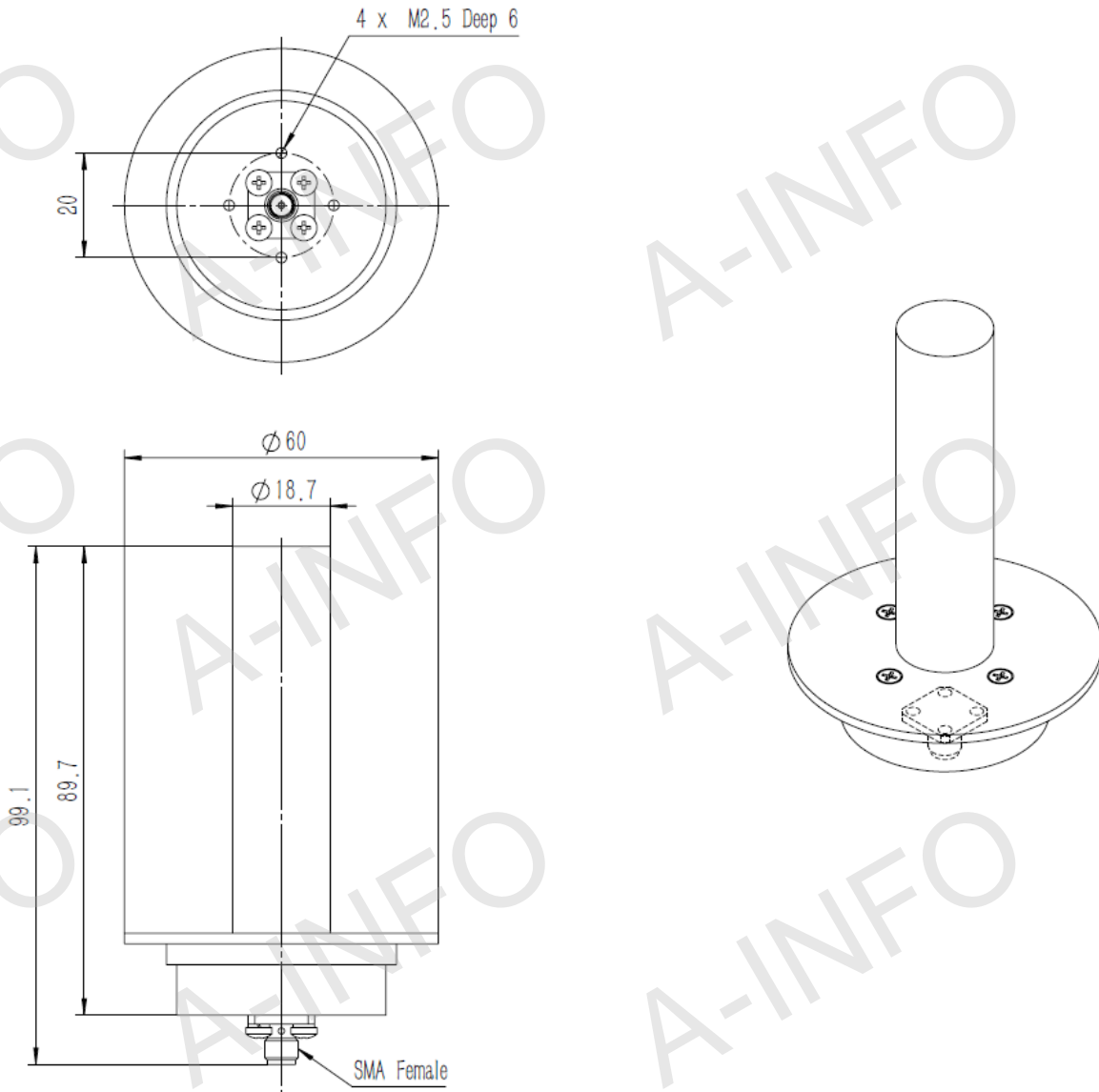


Technical Specification



Frequency Range(GHz)	6.6-7.0
Gain(dBic)	10 Min.
Polarization	RHCP or LHCP
Axial Ratio(dB)	2.0 Max.
3dB Beamwidth(deg)	E Plane: 35 Typ.
	H Plane: 47 Typ.
VSWR	2.0:1 max
Connector	SMA-Female
Power Handling(W)	10 CW
Material	Al
Size(mm)	Φ60 x 99.1
Net Weight(Kg)	0.09 Around

Outline Drawing (Size: mm)



AINFO Inc.

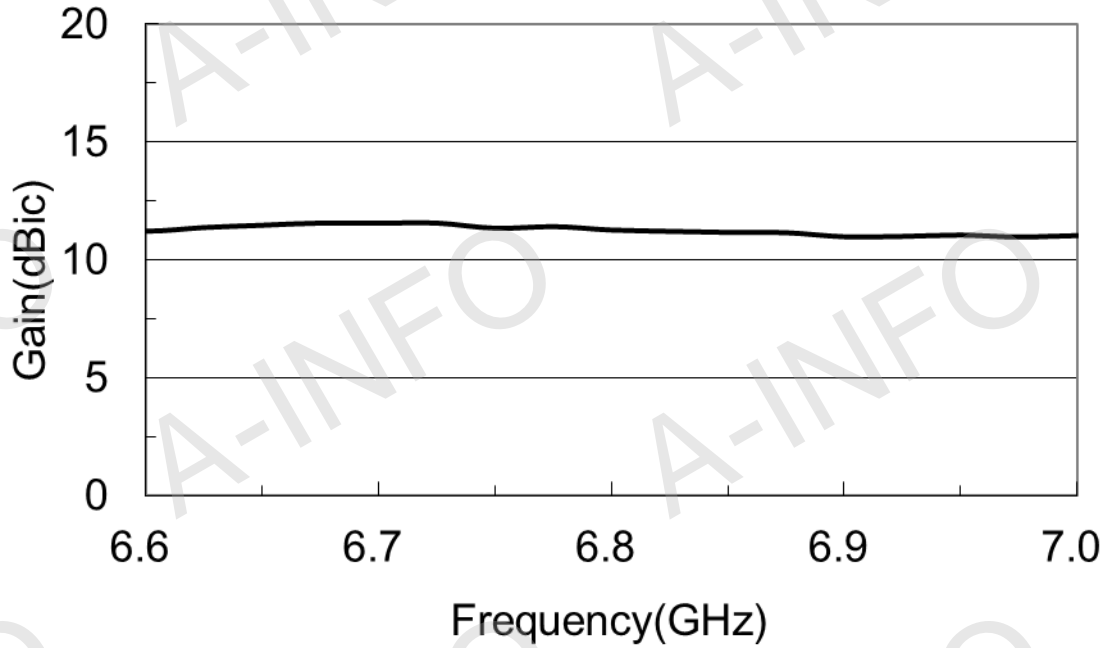
Page 1 of 4

China(Beijing): Tel: (+86) 10-6266-7326, (+86) 10-6266-7327 Fax: (+86) 10-6266-7379
 China(Chengdu): Tel: (+86) 28-8519-2786, (+86) 28-8519-3044 Fax: (+86) 28-8519-3068
 USA: Tel: (+1) 949-639-9688, (+1) 949-639-9608 Fax: (+1) 949-639-9670

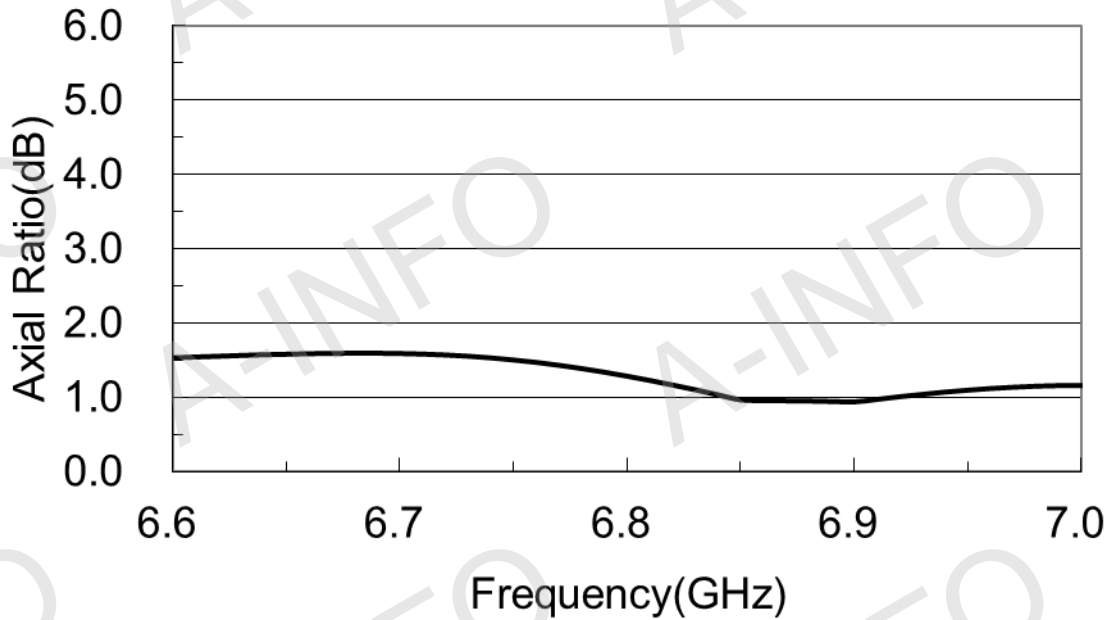
Website: www.ainfoinc.com
 Email: sales@ainfoinc.com

Test Results

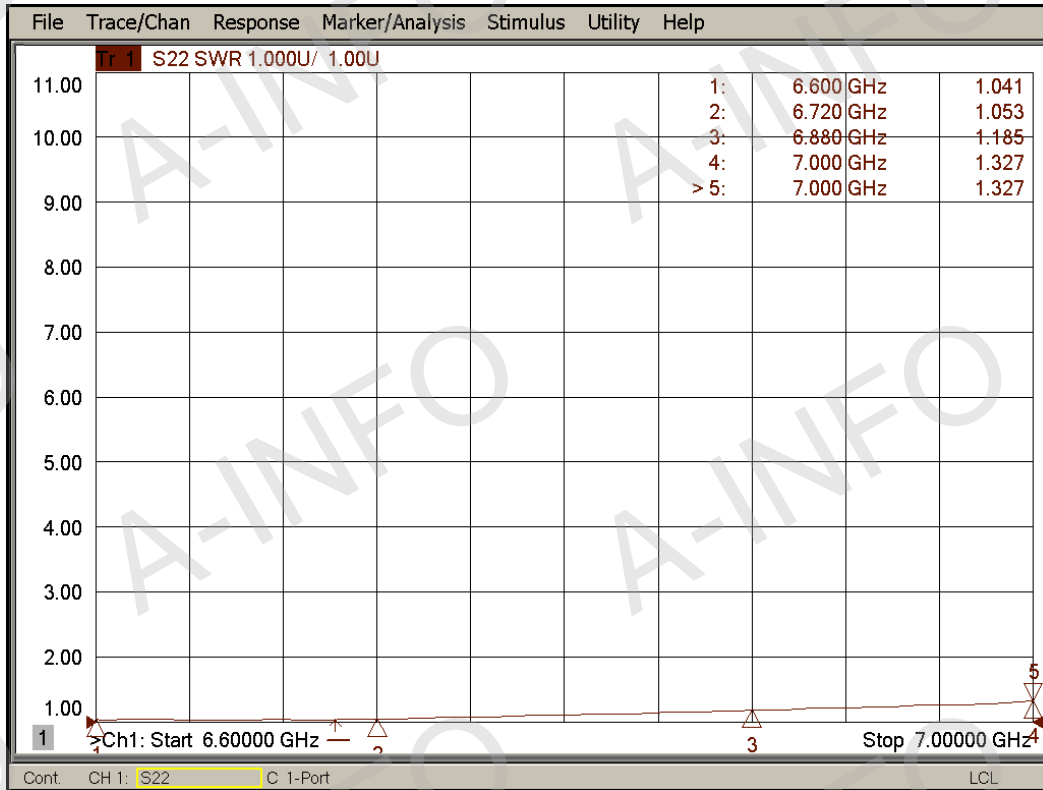
1. Gain



2. Axial Ratio



3. VSWR



4. Pattern

